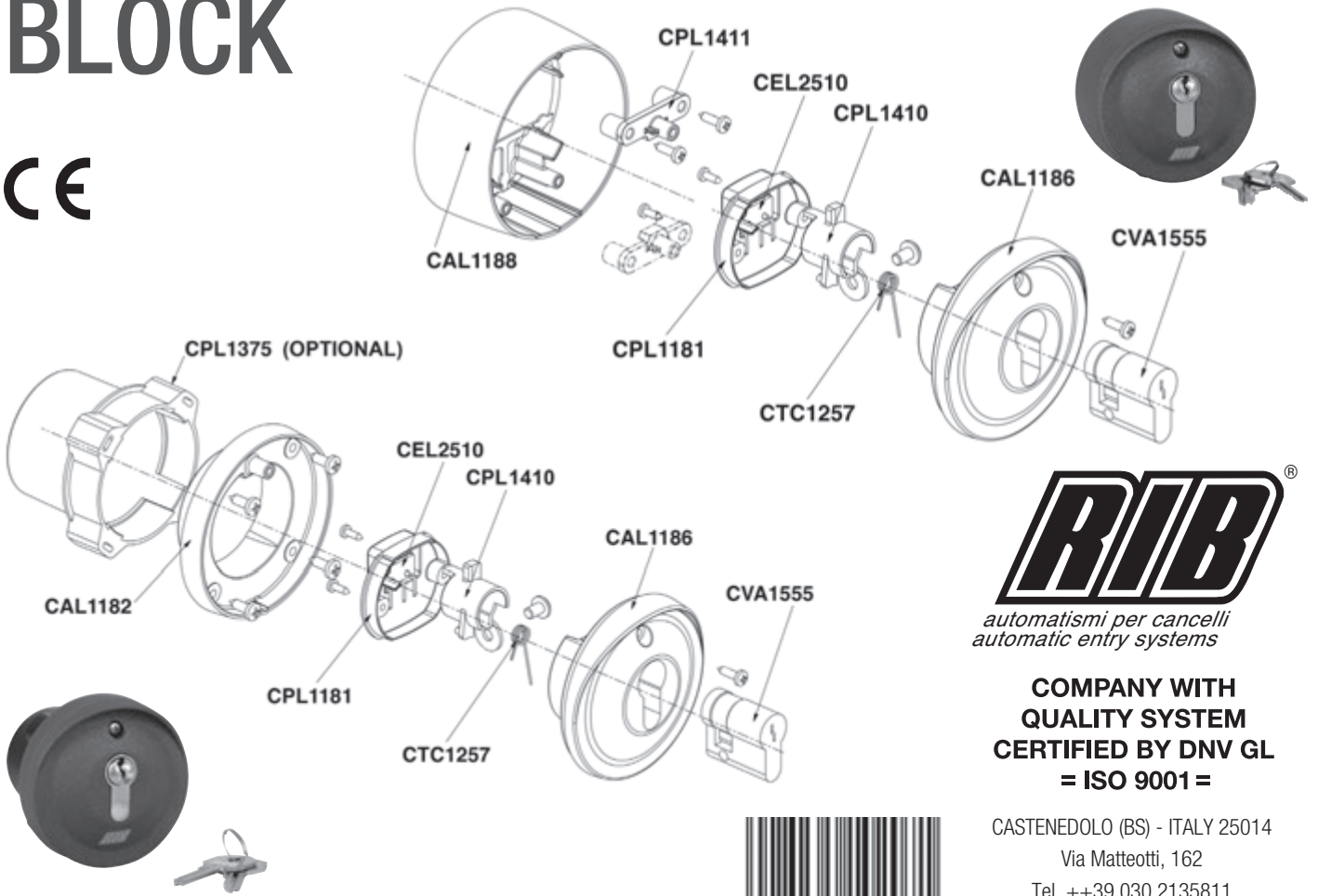


BLOCK

CE



RIB

*automatismi per cancelli
automatic entry systems*

**COMPANY WITH
QUALITY SYSTEM
CERTIFIED BY DNV GL
= ISO 9001 =**

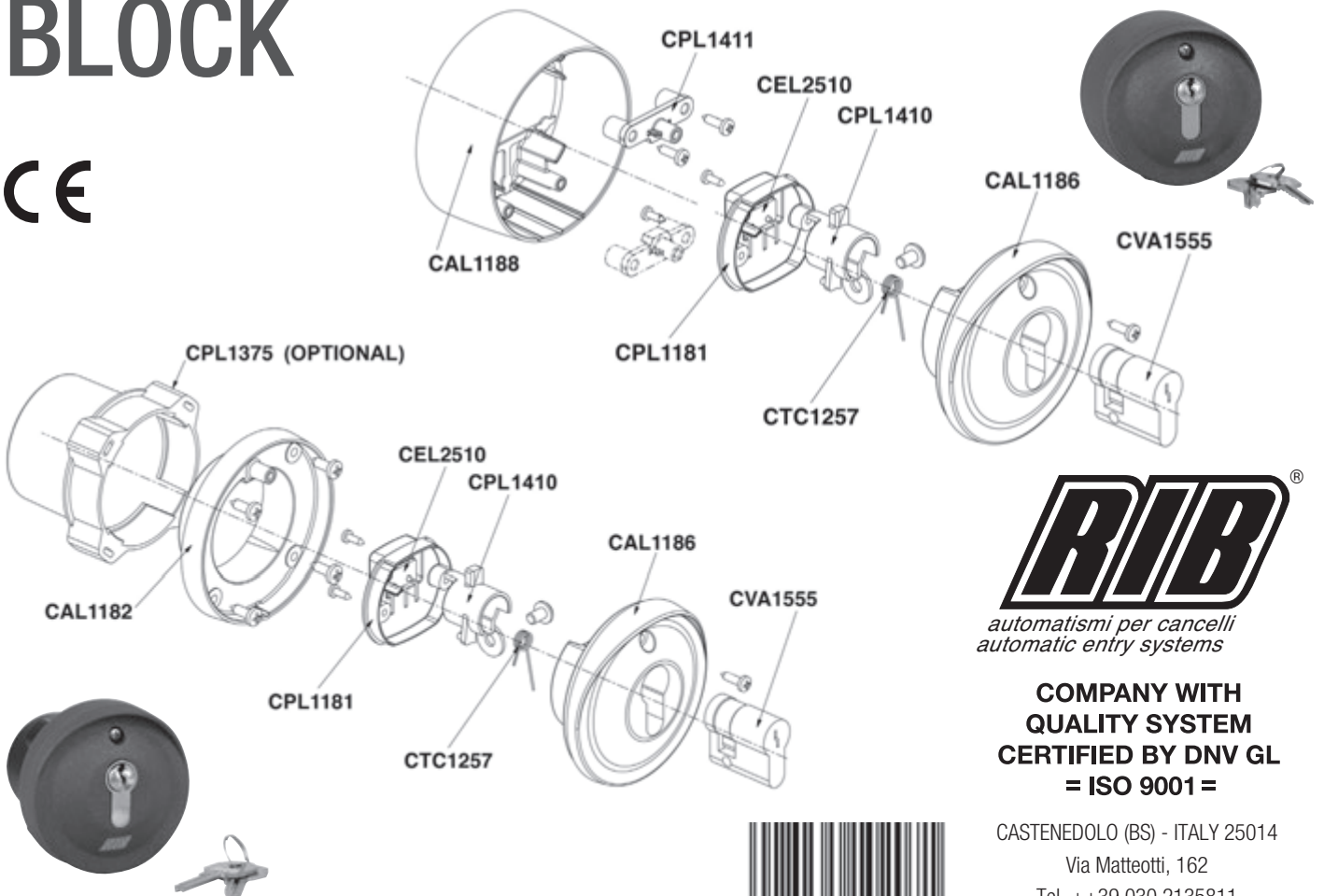
CASTENEDOLO (BS) - ITALY 25014
Via Matteotti, 162
Tel. ++39.030.2135811
Fax ++39.030.21358279 - 21358278
www.ribind.it - ribind@ribind.it



Cod. CVA1514 - 13042015 - Rev. 05

BLOCK

CE



RIB

*automatismi per cancelli
automatic entry systems*

**COMPANY WITH
QUALITY SYSTEM
CERTIFIED BY DNV GL
= ISO 9001 =**

CASTENEDOLO (BS) - ITALY 25014
Via Matteotti, 162
Tel. ++39.030.2135811
Fax ++39.030.21358279 - 21358278
www.ribind.it - ribind@ribind.it



Cod. CVA1514 - 13042015 - Rev. 05