

COMET S ASSEMBLED

IMMAGINI - IMAGES - BILDER - IMAGENES



CE



Fig.1



Fig.2



Fig.3



Fig.4

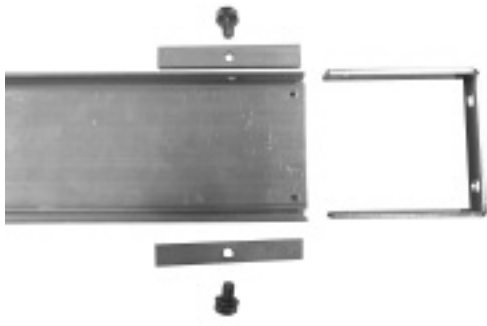


Fig.5



Fig.6



Fig.7



Fig.8



Fig.9

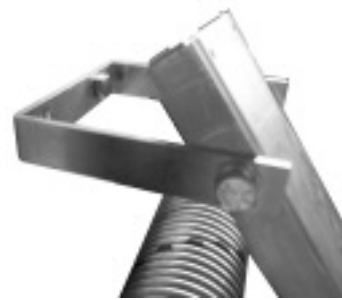


Fig.10



Fig.11



Fig.12

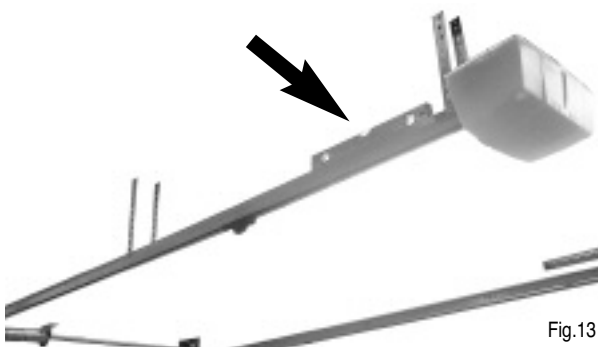


Fig.13



Fig.14



Fig.15



Fig.16



Fig.17

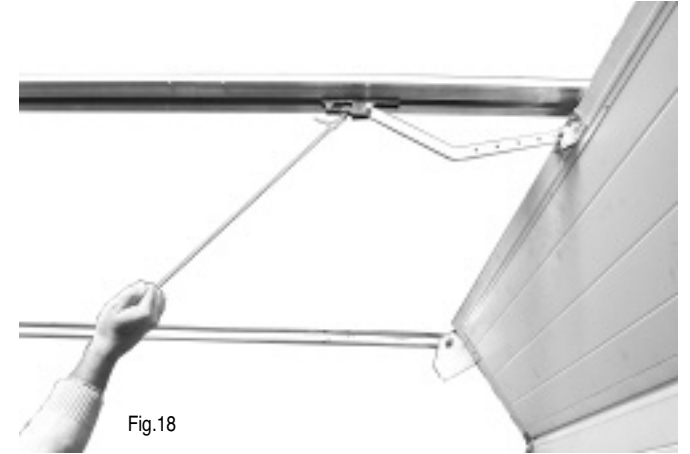


Fig.18

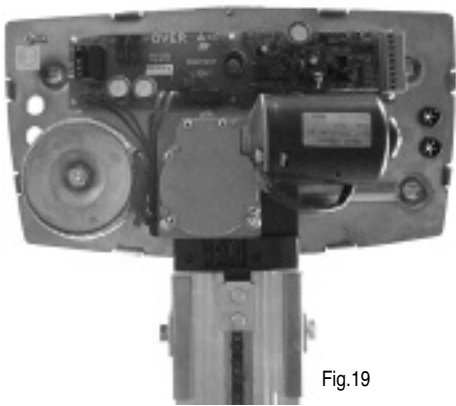


Fig.19

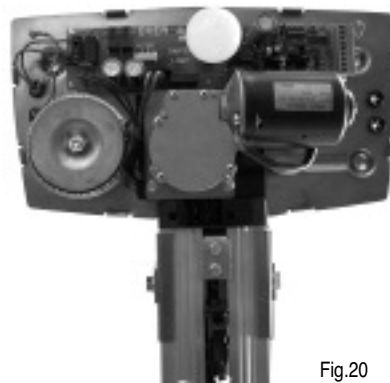


Fig.20

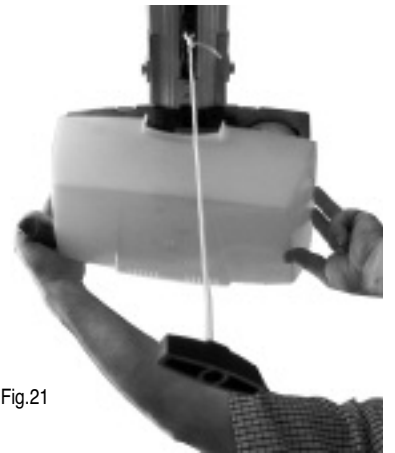


Fig.21



Fig.22



Fig.23



Fig.24



Fig.25



Fig.26



Fig.28



Fig.29

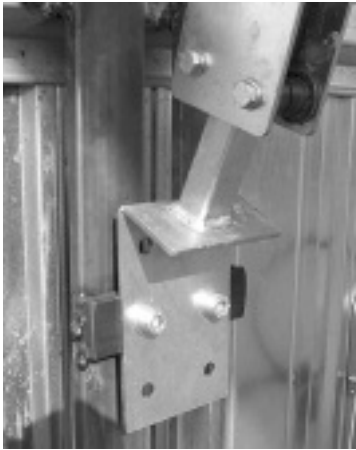


Fig.27

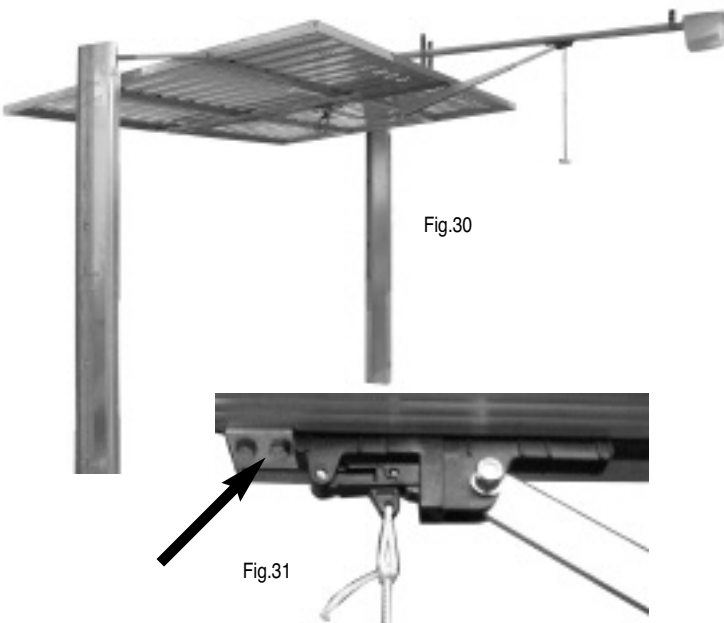


Fig.30

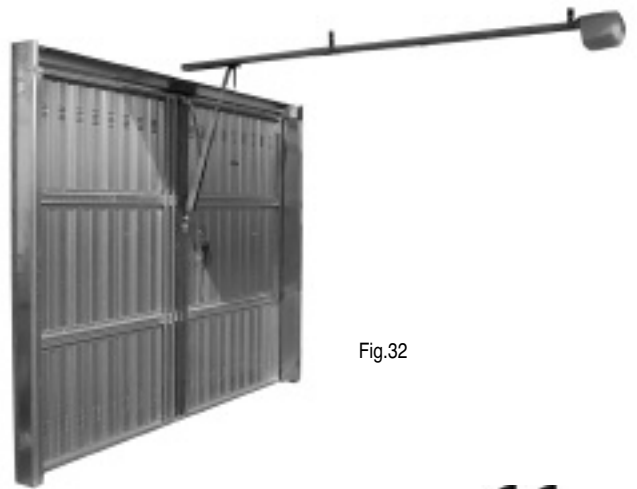


Fig.32



Fig.31

COMPANY
WITH QUALITY SYSTEM
CERTIFIED BY DNV
=ISO 9001/2000=

RIB
automatismi per cancelli
automatic entry systems

® 25014 CASTENEDOLO (BS)-ITALY
Via Matteotti, 162
Telefono +39.030.2135811
Telefax +39.030.21358279-21358278
<http://www.ribind.it> - email: ribind@ribind.it

